

Libraries

Name	Process	Form Factor
RGO_GF28_18V15_HPP_20C_DDR3_DDR4	HPP	Staggered

Summary

The DDR3_DDR4 library contain the 4-way combo driver/receiver cells with embedded power cells, the driver impedance calibration cell, and the DDR voltage reference cell providing both single-ended and differential signaling for DDR3, DDR3L, DDR3U, and DDR4 applications. Also included is a full complement of power, corner and spacer cells to assemble a complete pad ring by abutment. An included rail splitter allows multiple power domains to be isolated in the same pad ring while maintaining continuous VDD/VSS for robust ESD protection.

Full DDR4 capability

- Data rates – 1600 MT/s, 1866 MT/s, 2133 MT/s, 2400 MT/s

Full DDR3 / DDR3L / DDR3U capability

- Data rates – 800 MT/s, 1066 MT/s, 1333 MT/s, 1600 MT/s, 1866 MT/s, 2133 MT/s

ESD Protection:

- JEDEC compliant
 - 2KV ESD Human Body Model (HBM)
 - 200 V ESD Machine Model (MM)
 - 500 V ESD Charge Device Model (CDM)

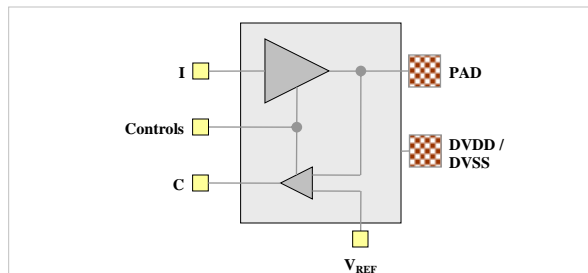
Latch-up Immunity:

- JEDEC compliant
 - Tested to I-Test criteria of $\pm 100\text{mA}$ @ 125°C

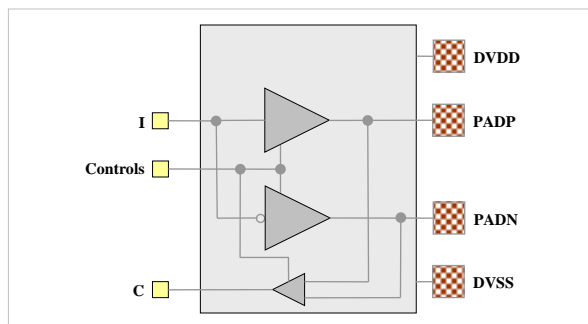
Recommended operating conditions

Parameter	Description		Min	Nom	Max	Units
V _{DVDD}	Core supply voltage	HPP	0.765	0.85	0.935	V
			0.81	0.90	0.945	
V _{DVDD}	I/O supply voltage	DDR4	1.14	1.2	1.26	V
		DDR3	1.425	1.5	1.575	V
		DDR3L	1.283	1.35	1.45	V
		DDR3U	1.19	1.25	1.31	V
T _J	Junction temperature		-40	25	+125	°C
V _{PAD}	Voltage at PAD		V _{DVSS}		V _{DVDD}	V

SLP_BI_SDS_1215V_D_x: Single-Ended Driver



SLP_CL_SDS_1215V_D_PWR: Differential Driver



Product Features

- User programmable drive strength
 - DDR3 – Z_{OUT} = 34 / 40 Ω
 - DDR4 – Z_{OUT} = 34 / 48 Ω
- User programmable on-die termination
 - DDR3 – 120 / 60 / 40 / 30 / 24 / 20 / 17 Ω
 - DDR4 – 240 / 120 / 80 / 60 / 48 / 40 / 34 Ω
- Operating frequency up to 1200 MHz (2400 MT/sec data rate)

Cell summary

Name	Description
SLP_BI_SDS_1215V_D_DVDD/DVSS/PDO	Bi-directional driver / receiver cell with power
SLP_CL_SDS_1215V_D_PWR	Differential clock driver / receiver with DVDD / DVSS
SLP_SP_CAL_SDS_1215V	DDR3 / DDR4 calibration pad
SLP_SP_CSH_0915V	Calibration code bus driver
SLP_RE_000_1215V	DDR3 / DDR4 voltage reference
PVP_VD_RCD_0915V	Core power (VDD)
PVP_VS_RCD_0915V	Core ground (VSS)
SVP_SP_000_1215V	0.1 μm spacer
SVP_SP_001_1215V	1 μm spacer
SVP_SP_005_1215V	5 μm spacer
SVP_SP_020_1215V	20 μm spacer
SVP_CO_001_1215V	Corner cell
SPP_RS_005_1215V	Rail splitter
SPP_AD_SSTL_1215V	DDR to staggered 1.8V GPIO adapter
SPP_SP_CAP_1215V	DVDD/DVSS decoupling cap

Physical size

Name	Width	Height	Units
SLP_BI_SDS_1215V_D_DVDD/DVSS/PDO	40	205	μm
SLP_CL_SDS_1215V_D_PWR	80	205	μm
SLP_SP_CAL_SDS_1215V	20	205	μm
SLP_SP_CSH_0915V	20	205	μm
SLP_RE_000_1215V	40	205	μm
PVP_VD_RCD_0915V	20	205	μm
PVP_VS_RCD_0915V	20	205	μm
SVP_SP_000_1215V	0.1	205	μm
SVP_SP_001_1215V	1	205	μm
SVP_SP_005_1215V	5	205	μm
SVP_SP_020_1215V	20	205	μm
SVP_CO_001_1215V	205	205	μm
SPP_RS_005_1215V	5	205	μm
SPP_AD_SSTL_1215V	20	205	μm
SPP_SP_CAP_1215V	10	10	μm

© 2008-2014 Aragio Solutions. All rights reserved.

Information in this document is subject to change without notice. Aragio Solutions may have patents, patent applications, trademarks, copyrights or other intellectual property rights covering subject matter in this document. Except as expressly provided in any written license agreement from Aragio, the furnishing of this document does not give you any license to the patents, trademarks, copyrights, or other intellectual property.

Published by:

Aragio Solutions
2201 K Avenue
Section B Suite 200
Plano, TX 75074-5918
Phone: (972) 516-0999
Fax: (972) 516-0998
Web: <http://www.aragio.com/>

While every precaution has been taken in the preparation of this book, the publisher assumes no responsibility for errors or omissions, or for damages resulting from the use of the information contained herein. This document may be reproduced and distributed in whole, in any medium, physical or electronic, under the terms of a license or nondisclosure agreement with Aragio.

Printed in the United States of America